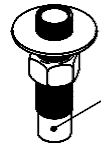
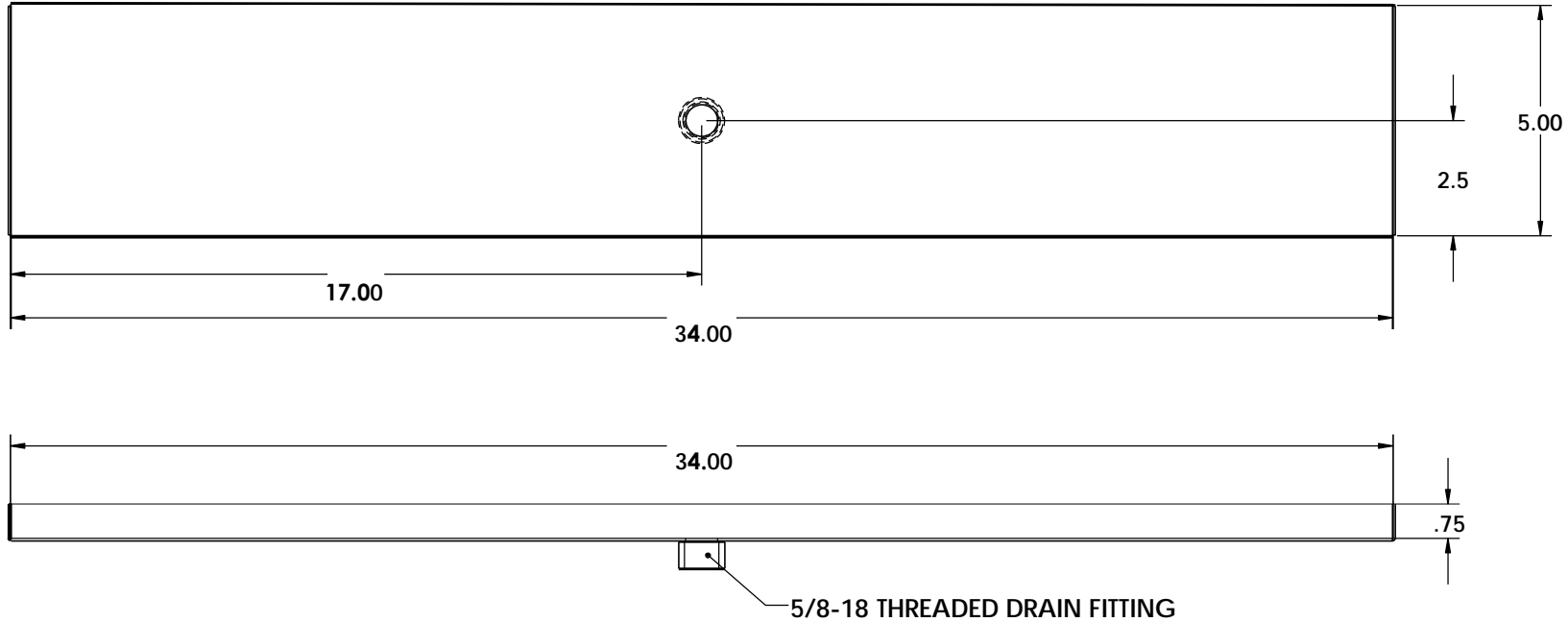


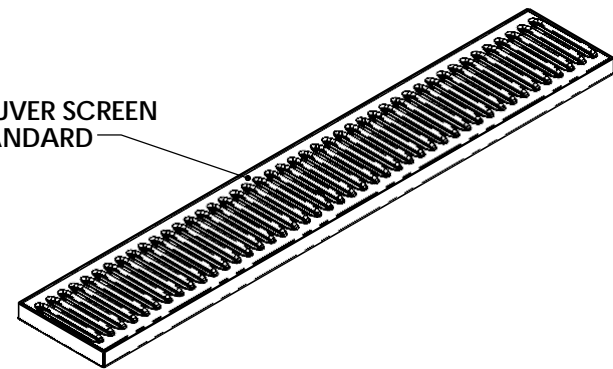
REV. NO.		REVISIONS	DATE	APPROVED



5/8-18 X 3" LONG BRASS DRAIN W/HARDWARE

5/8-18 THREADED DRAIN FITTING

LOUVER SCREEN STANDARD



ALL DIMENSIONS ARE INSIDE DIMENSIONS UNLESS OTHERWISE NOTED

MATERIAL :  
 18 GAUGE STAINLESS STEEL

FINISHES :  
 #4 BRUSHED ON ALL TYPES

**Part # 0150-34**

**Proprietary and Confidential**  
 The Information contained in this drawing is the sole property of ACU Precision Sheet Metal. Any reproduction in part or as a whole without the written permission of ACU Precision Sheet Metal is Prohibited.  
 ACU Precision Sheet Metal is:  
 American Coffee Urn Manufacturing Co., Inc.

	NAME	DATE
DRAWN	M. Johs	05/14
	SEE NOTES	
FINISH	SEE NOTES	COMMENTS:

TITLE:	<b>SMD 5" SURFACE MOUNT W/DRAIN 5" X 34" DRIP TRAY</b>
<b>AMERICAN COFFEE URN</b>	

DO NOT SCALE DRAWING