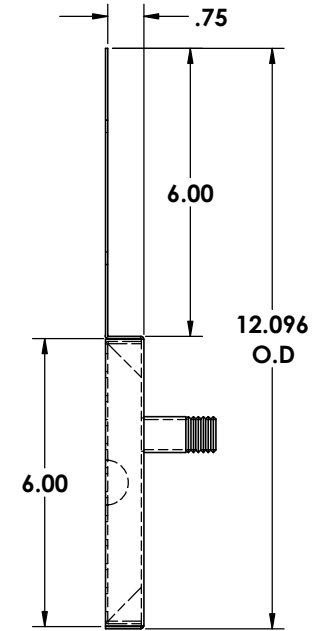
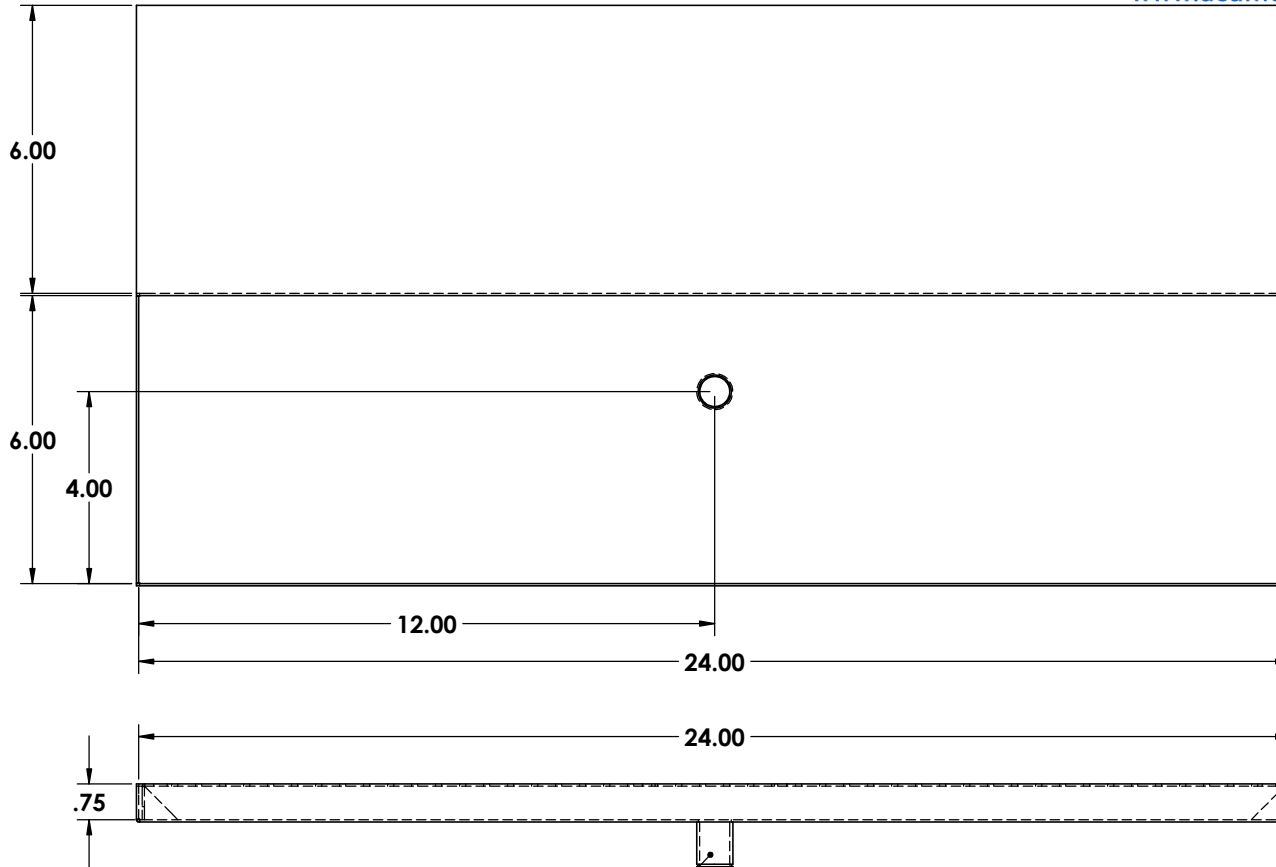


REV. NO.		REVISIONS	DATE	APPROVED
ZONE	REV.	DESCRIPTION		



1/2" X 1 1/2" LONG
 NPT PIPE THREAD

Please **Circle** the desired Screen Below:

Please **Circle** the desired options Below:

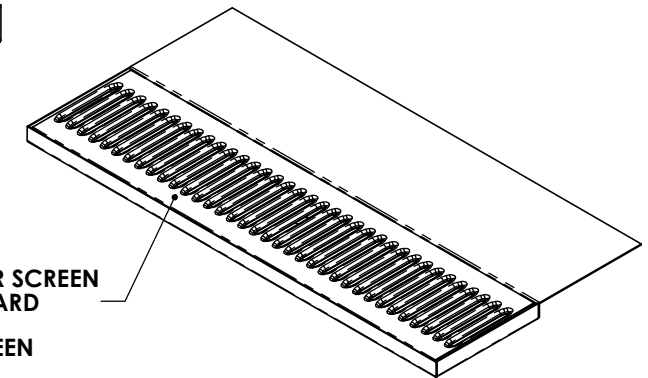
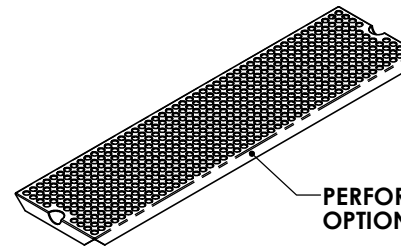
ALL DIMENSIONS ARE INSIDE DIMENSIONS
 UNLESS OTHERWISE NOTED

MATERIAL :

18 GAUGE STAINLESS STEEL
 16 GAUGE BRASS

FINISHES :

#4 BRUSHED ON ALL TYPES
 #8 POLISHED ON ALL TYPES



Proprietary and Confidential
 The Information contained in this drawing is the sole property of ACU Precision Sheet Metal. Any reproduction in part or as a whole without the written permission of ACU Precision Sheet Metal is Prohibited.
 ACU Precision Sheet Metal is:
 American Coffee Urn Manufacturing Co., Inc.

	NAME	DATE
DRAWN	M. Johs	08/14
MATERIAL	SEE NOTES	
FINISH	SEE NOTES	COMMENTS:

TITLE:
SMALL STANDARD OVERHANG DRIP TRAY
AMERICAN COFFEE URN