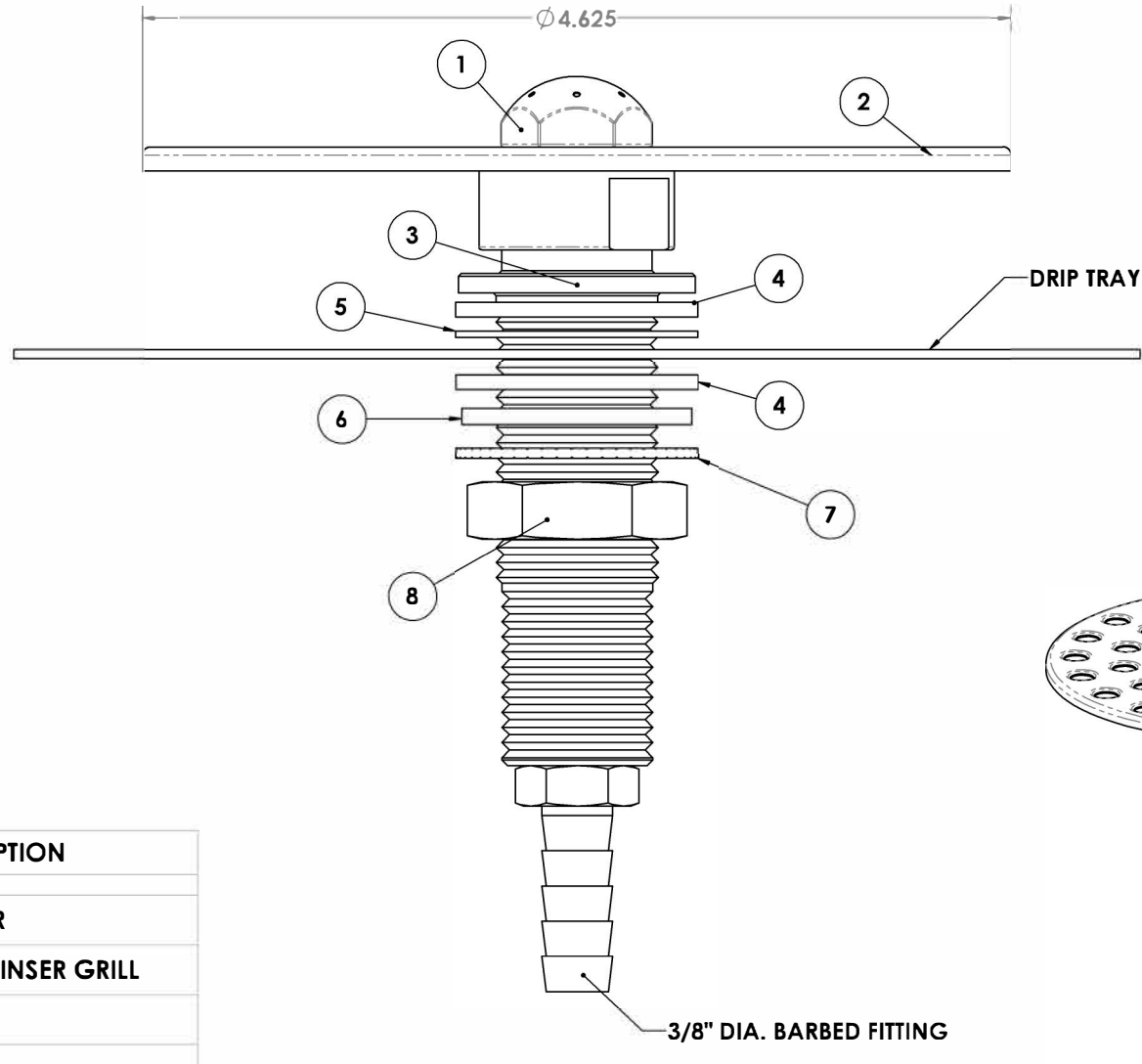


REVISEMENTS		DATE	APPROVED
JOHN	REV.	DESCRIPTION	



ITEM	QTY	DESCRIPTION
1	1	SPRAYER RINSER
2	1	4.625" DIA. SS RINSER GRILL
3	1	RINSER SHANK
4	2	SOFT WASHER
5	1	CLEAR WASHER
6	1	HARD WASHER
7	1	LOCK WASHER
8	1	LOCK NUT

[www.acumetalfab.com](http://www.acumetalfab.com)

**PART # 8099**

PROPRIETARY AND CONFIDENTIAL

THE INFORMATION CONTAINED IN THIS DRAWING IS THE SOLE PROPERTY OF ACU PRECISION SHEET METAL. ANY REPRODUCTION IN PART OR AS A WHOLE WITHOUT THE WRITTEN PERMISSION OF ACU PRECISION SHEET METAL IS PROHIBITED.

ACU PRECISION SHEET METAL IS :  
 AMERICAN COFFEE URN MANUFACTURING CO., INC

	NAME	DATE
DRAWN	L. WILLIAMS	09/16
MATERIAL	STAINLESS STEEL	
FINISH	#8 POLISHED	

TITLE:

**RINSER ASSEMBLY  
 STAINLESS STEEL  
 4.625" DIA. RINSER GRILL  
 AMERICAN COFFEE URN**