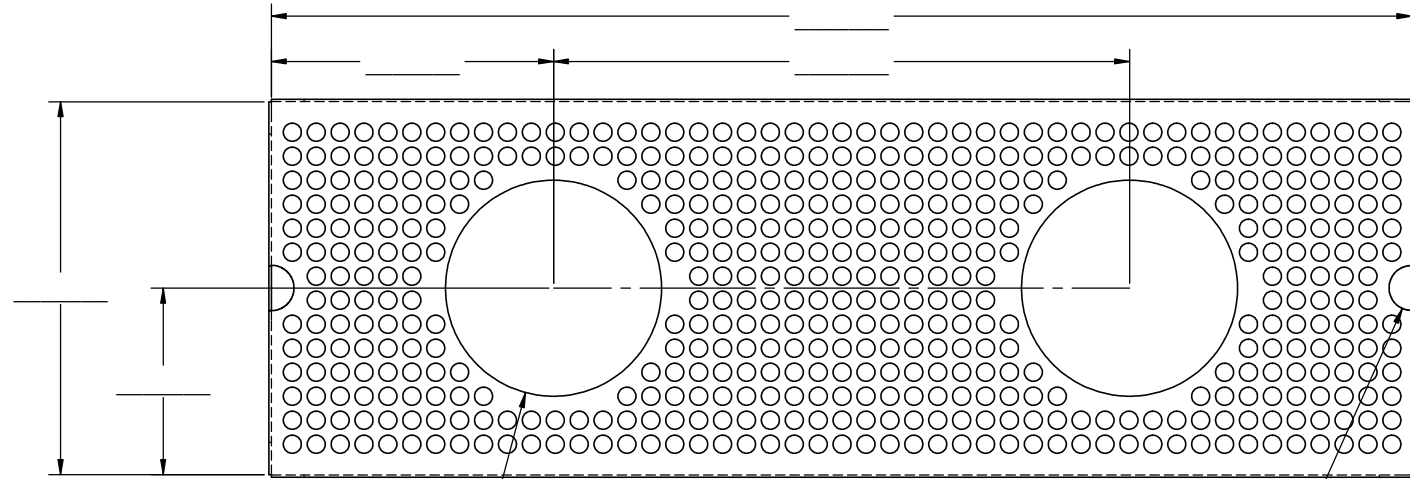
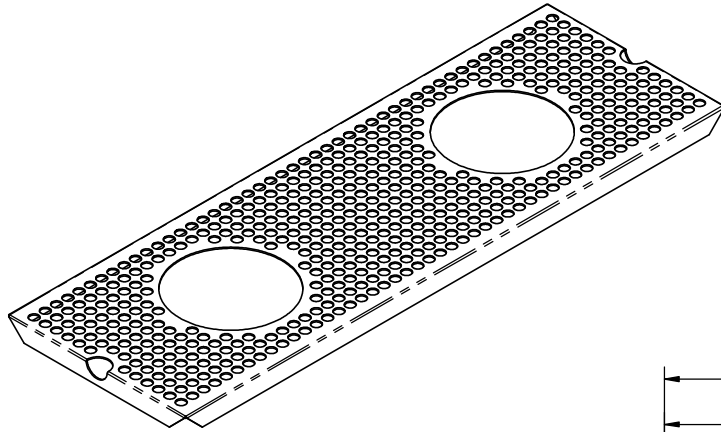


REV. NO.		REVISIONS	DATE	APPROVED
ZONE	REV.	DESCRIPTION		

PLEASE FILL IN MEASUREMENTS WHERE NEEDED!



Ø 4.500 (2 PLCS.)

R.469 TYP.

American Coffee
Urn Manufacturing Co., Inc.
 Precision Sheet Metal
 Design ♦ Engineering ♦ Fabrication
 www.acumetalfab.com



Please Circle the desired options Below:

ALL DIMENSIONS ARE INSIDE DIMENSIONS UNLESS OTHERWISE NOTED

- MATERIAL :**
 18 GAUGE STAINLESS STEEL
- FINISHES :**
 #4 BRUSHED ON ALL TYPES
 #8 POLISHED ON ALL TYPES

Proprietary and Confidential
 The Information contained in this drawing is the sole property of ACU Precision Sheet Metal. Any reproduction in part or as a whole without the written permission of ACU Precision Sheet Metal is Prohibited.
 ACU Precision Sheet Metal is:
 American Coffee Urn Manufacturing Co., Inc.

	NAME	DATE	TITLE: PERFORATED SCREEN W/ DBL GLASS RINSER
DRAWN	M. Johs	08/14	
MATERIAL	SEE NOTES		AMERICAN COFFEE URN
FINISH	SEE NOTES	COMMENTS:	

DO NOT SCALE DRAWING