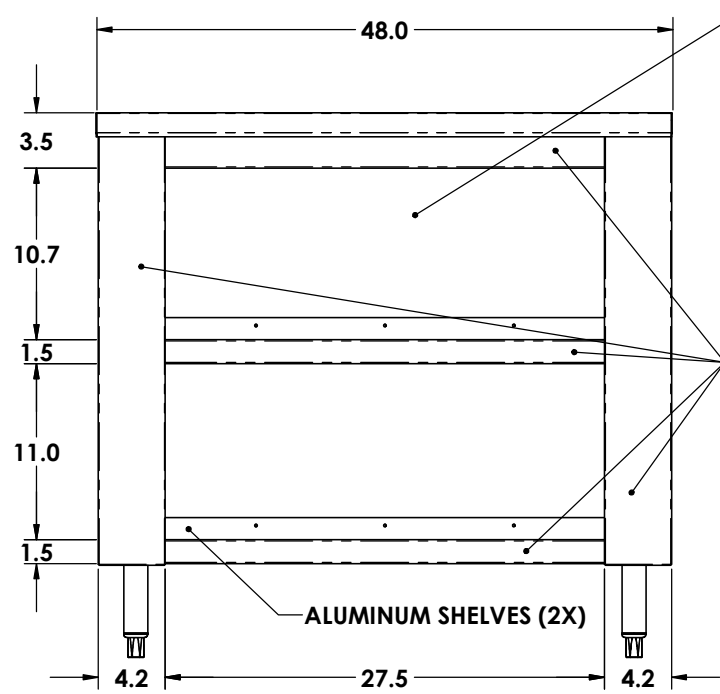
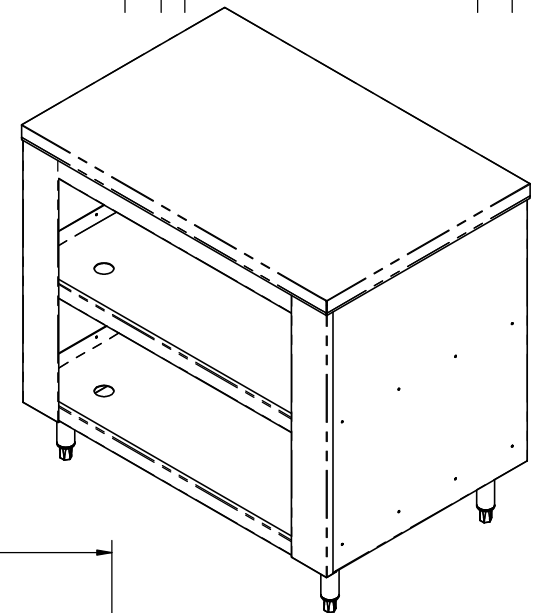
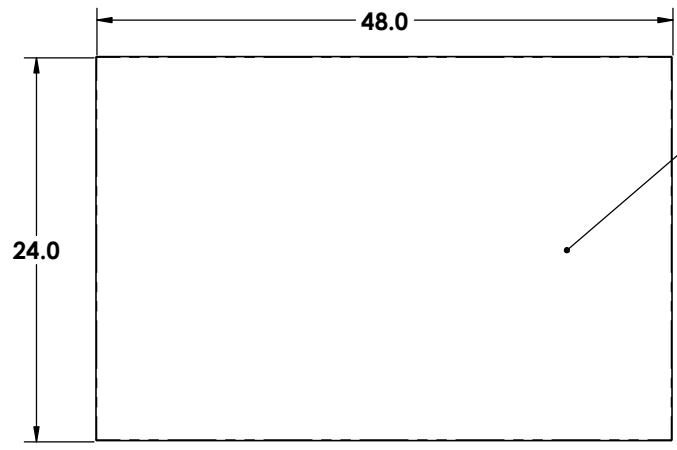
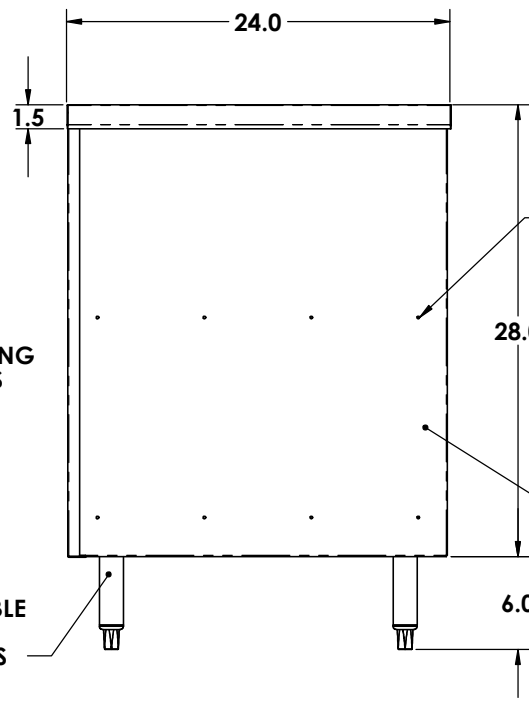


REV. NO.		REVISIONS	DATE	APPROVED



GALVANIZED REAR PANEL & INNER TOP

STAINLESS STEEL FACING ON ALL FRONT EDGES



ADJUSTABLE STAINLESS STEEL LEGS

**American Coffee**  
**Urn Manufacturing Co., Inc.**  
**Precision Sheet Metal**  
 Design ◊ Engineering ◊ Fabrication  
 www.acumetalfab.com

*Since 1959*

**Proprietary and Confidential**  
 The Information contained in this drawing is the sole property of ACU Precision Sheet Metal. Any reproduction in part or as a whole without the written permission of ACU Precision Sheet Metal is Prohibited.  
 ACU Precision Sheet Metal is:  
 American Coffee Urn Manufacturing Co., Inc.

	NAME	DATE
DRAWN	M. Johs	07/14
MATERIAL	SEE NOTES	
FINISH	SEE NOTES	COMMENTS:

TITLE:
<b>48" FLAT TOP TABLE</b> <b>48"W X 24"D X 28"H</b> <b>AMERICAN COFFEE URN</b>