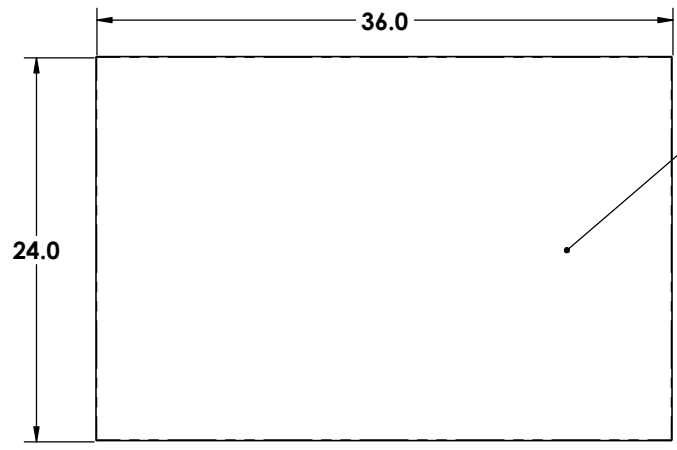
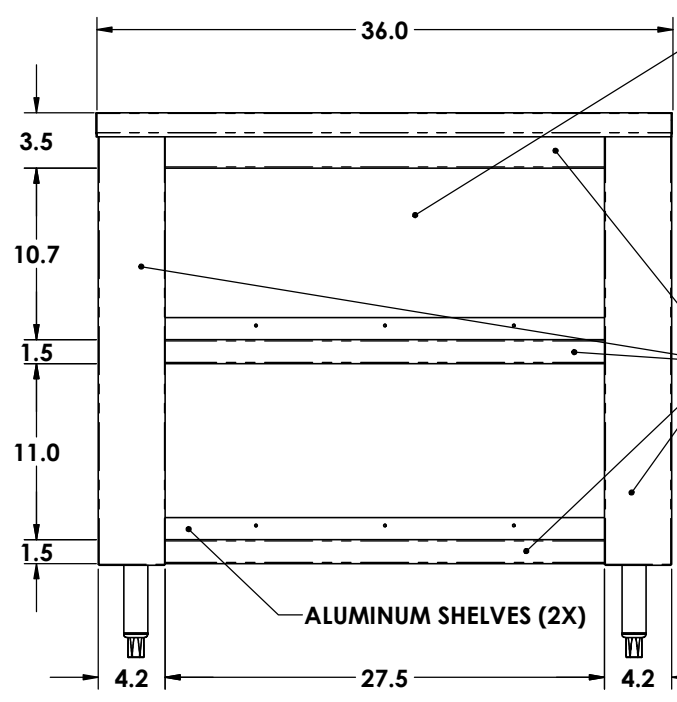
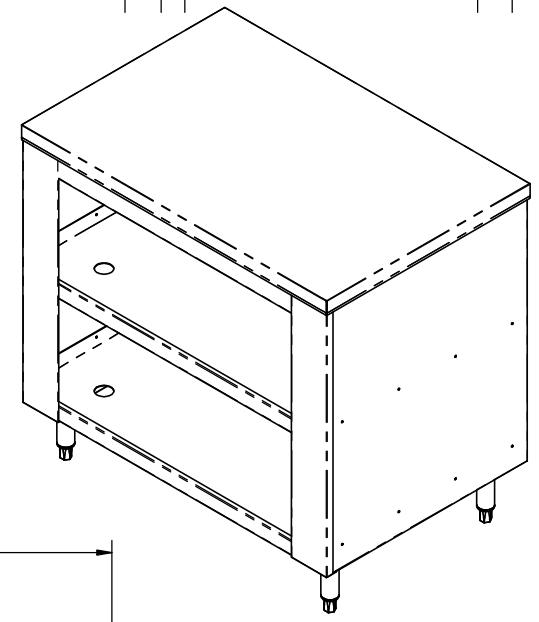


REV. NO.		REVISIONS	DATE	APPROVED



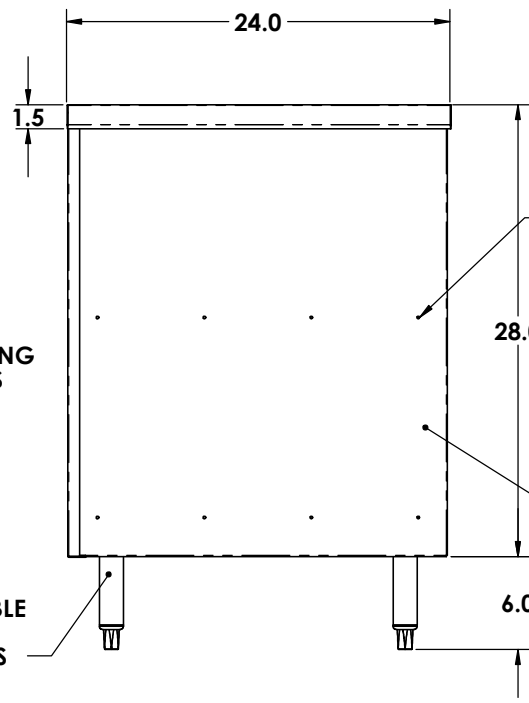
STAINLESS STEEL OUTER TOP & GALVANIZED INNER TOP



GALVANIZED REAR PANEL & INNER TOP

STAINLESS STEEL FACING ON ALL FRONT EDGES

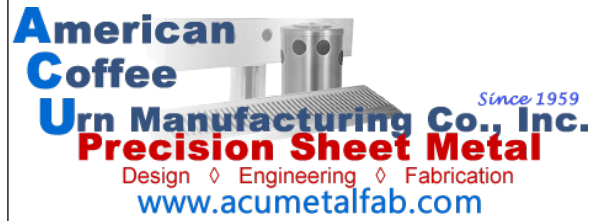
ALUMINUM SHELVES (2X)



POP RIVET CONSTRUCTION

ALUMINUM SIDES TYP.

ADJUSTABLE STAINLESS STEEL LEGS



**Proprietary and Confidential**  
 The Information contained in this drawing is the sole property of ACU Precision Sheet Metal. Any reproduction in part or as a whole without the written permission of ACU Precision Sheet Metal is Prohibited.  
 ACU Precision Sheet Metal is:  
 American Coffee Urn Manufacturing Co., Inc.

	NAME	DATE
DRAWN	M. Johs	07/14
MATERIAL	SEE NOTES	
FINISH	SEE NOTES	COMMENTS:

TITLE:
<b>36" FLAT TOP TABLE</b>
<b>36"W X 24"D X 28"H</b>
<b>AMERICAN COFFEE URN</b>

DO NOT SCALE DRAWING