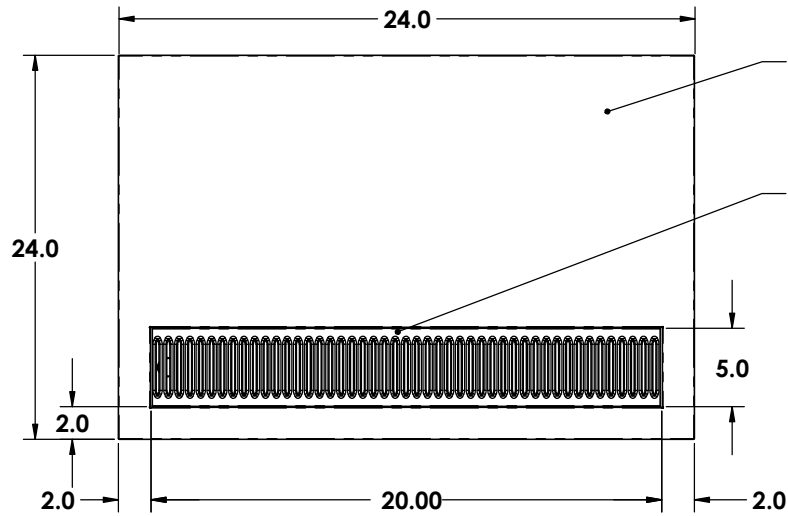
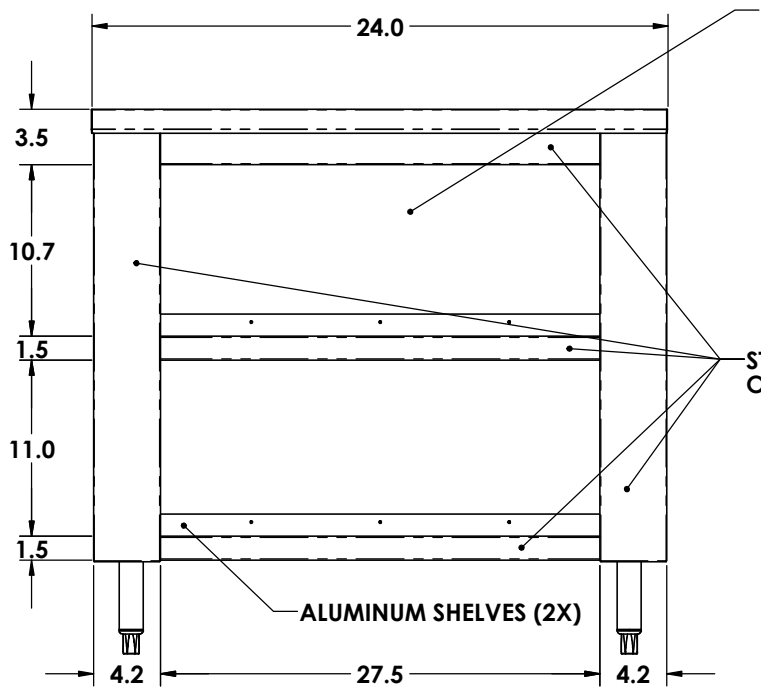
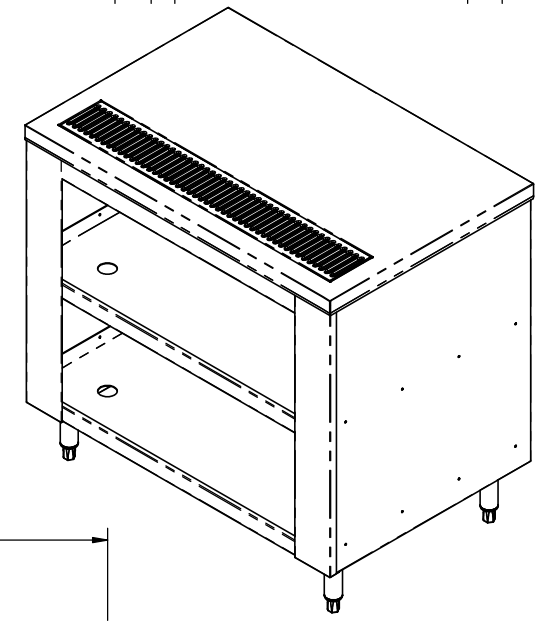


REV. NO.		REVISIONS	DATE	APPROVED



STAINLESS STEEL OUTER TOP & GALVANIZED INNER TOP

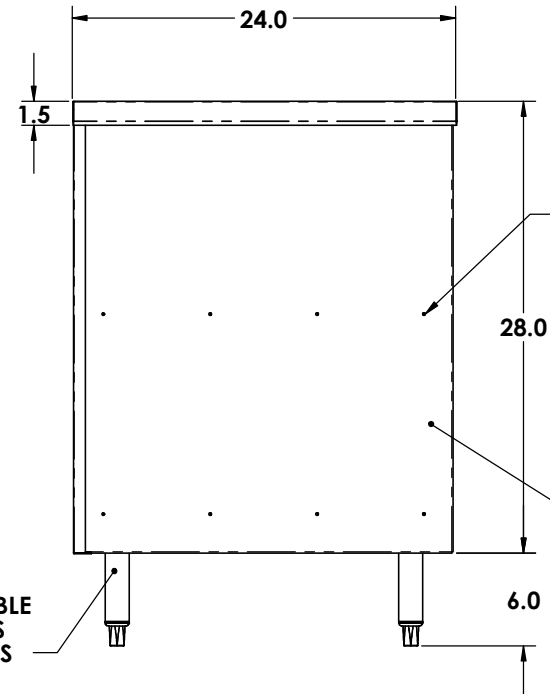
5" X 32" STAINLESS STEEL DRIP TRAY W/ 1.0" X 1.5" NPT DRAIN FITTING & REMOVABLE LOUVER SCREEN



GALVANIZED REAR PANEL & INNER TOP

STAINLESS STEEL FACING ON ALL FRONT EDGES

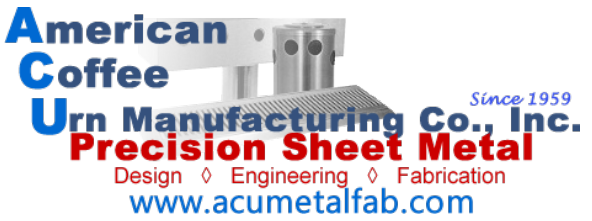
ALUMINUM SHELVES (2X)



POP RIVET CONSTRUCTION

ALUMINUM SIDES TYP.

ADJUSTABLE STAINLESS STEEL LEGS



Proprietary and Confidential
 The Information contained in this drawing is the sole property of ACU Precision Sheet Metal. Any reproduction in part or as a whole without the written permission of ACU Precision Sheet Metal is Prohibited.
 ACU Precision Sheet Metal is:
 American Coffee Urn Manufacturing Co., Inc.

	NAME	DATE
DRAWN	M. Johs	07/14
MATERIAL	SEE NOTES	
FINISH	SEE NOTES	COMMENTS:

TITLE:
24" TABLE W\ DRAIN TOP 24"W X 24"D X 28"H AMERICAN COFFEE URN