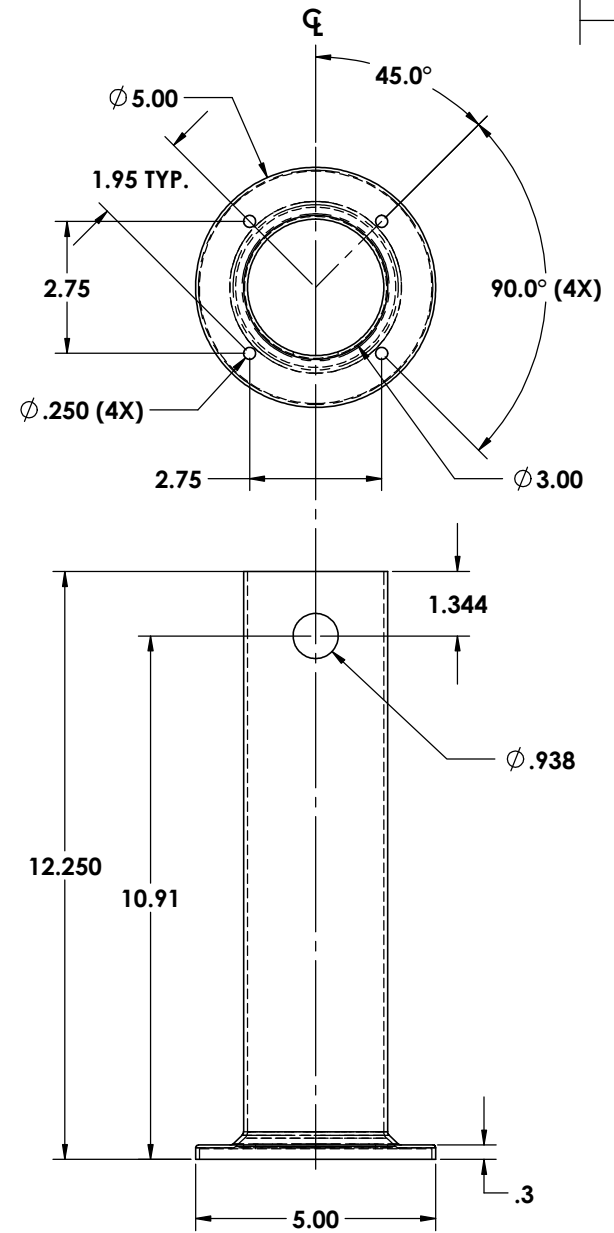
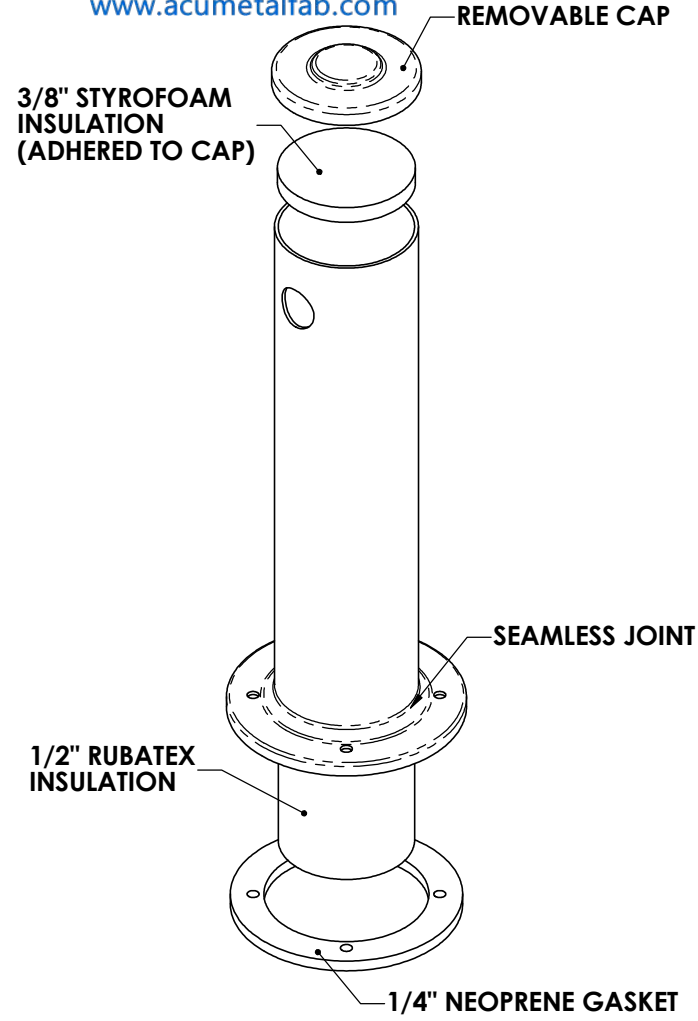


REVISIONS		DATE	APPROVED
ZONE	REV.	DESCRIPTION	



MATERIAL :
 3" X .060 WALL STAINLESS STEEL

FINISHES :
 #8 POLISHED ON ALL TYPES

Part # 0881-12

www.acumetalfab.com

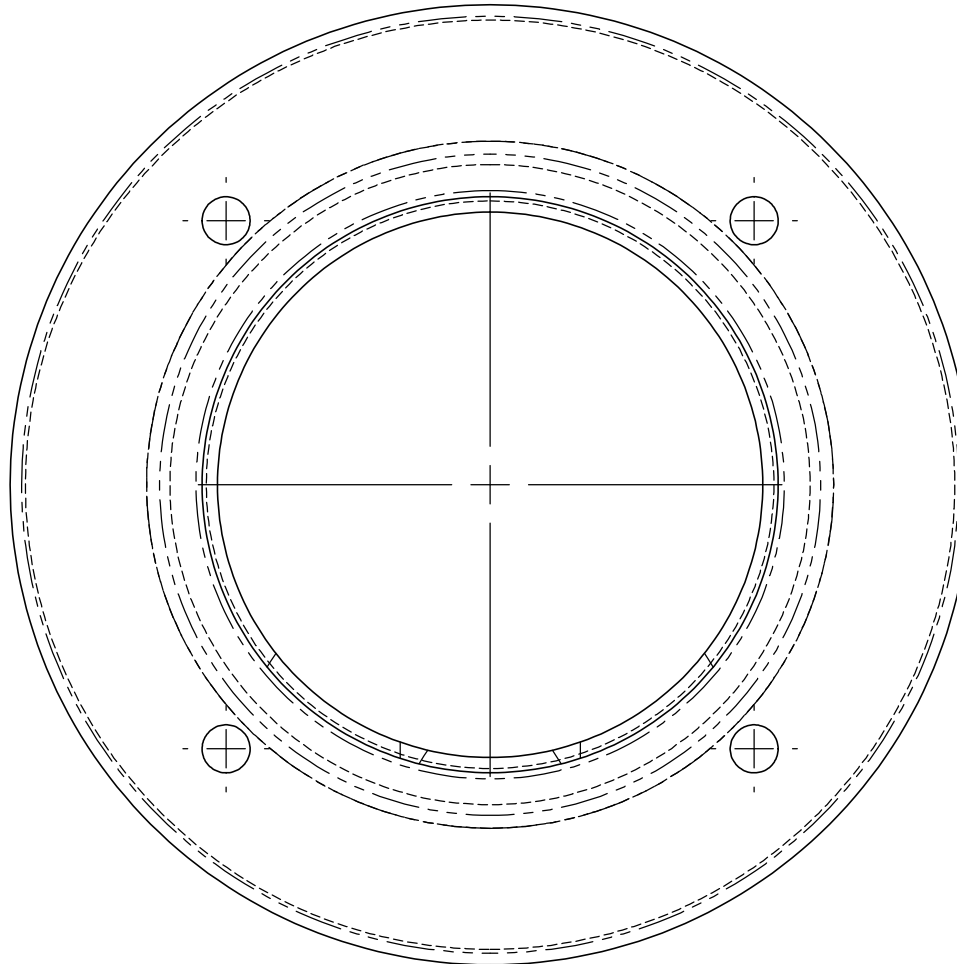
Proprietary and Confidential
 The Information contained in this drawing is the sole property of ACU Precision Sheet Metal. Any reproduction in part or as a whole without the written permission of ACU Precision Sheet Metal is Prohibited.
 ACU Precision Sheet Metal is:
 American Coffee Urn Manufacturing Co., Inc.

	NAME	DATE
DRAWN	M. Johs	06/14
MATERIAL	SEE NOTES	
FINISH	SEE NOTES	COMMENTS:

TITLE:
3" DRAFT ARM ASSEMBLY 1 HOLE, 12" HIGH
AMERICAN COFFEE URN

DO NOT SCALE DRAWING

3" PEDESTAL AND DRAFT ARM TEMPLATE



SCALE 1:1

Set printer settings to : Page Scaling = "None"