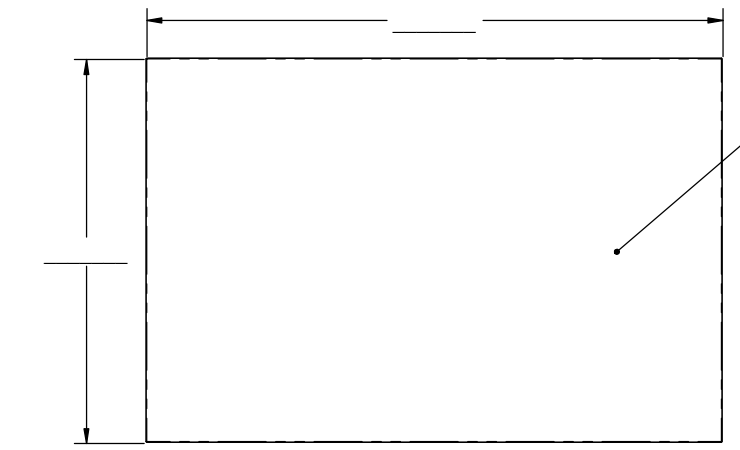
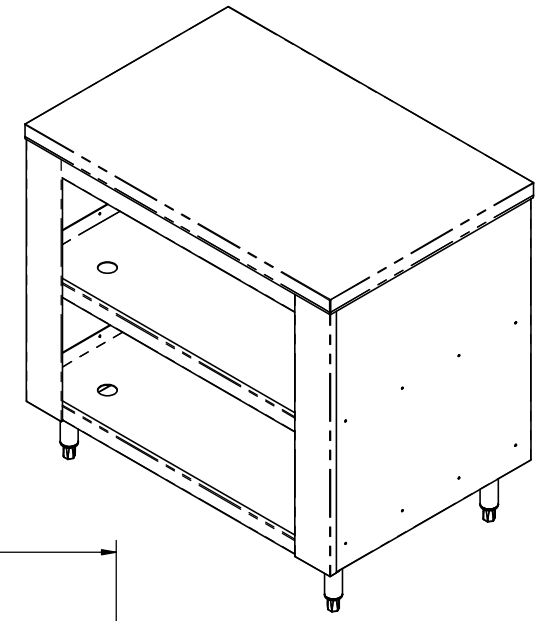


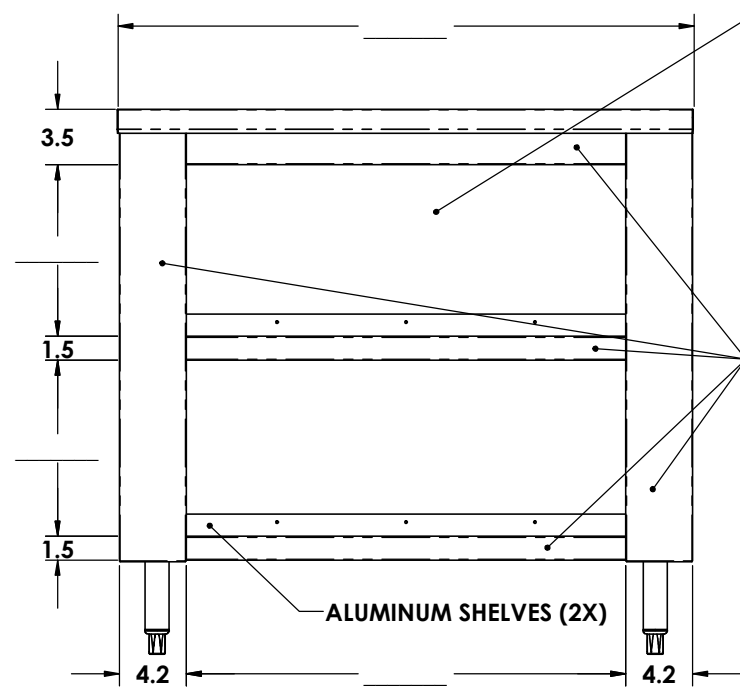
Please **Fill in** the desired measurements below:

www.acumetalfab.com

REVISIONS		DATE	APPROVED
ZONE	REV.	DESCRIPTION	



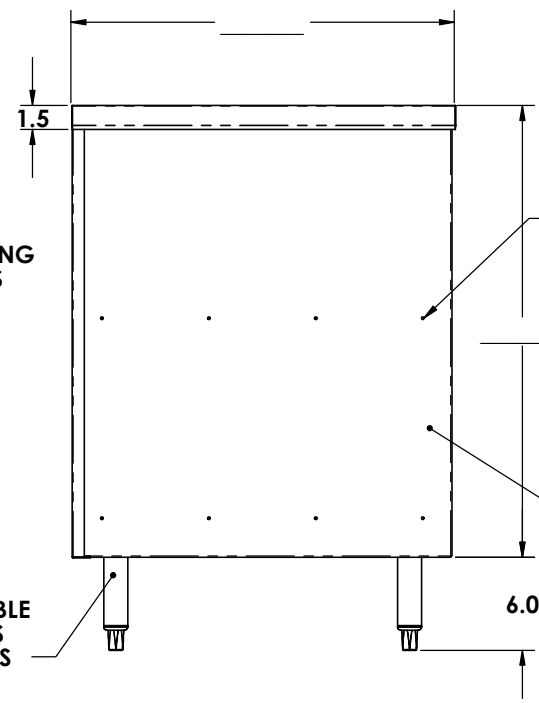
STAINLESS STEEL OUTER TOP & GALVANIZED INNER TOP



GALVANIZED REAR PANEL & INNER TOP

STAINLESS STEEL FACING ON ALL FRONT EDGES

ALUMINUM SHELVES (2X)



POP RIVET CONSTRUCTION

ALUMINUM SIDES TYP.

ADJUSTABLE STAINLESS STEEL LEGS

American Coffee
Urn Manufacturing Co., Inc.
Since 1959
Precision Sheet Metal
 Design ♦ Engineering ♦ Fabrication
www.acumetalfab.com

Proprietary and Confidential
 The Information contained in this drawing is the sole property of ACU Precision Sheet Metal. Any reproduction in part or as a whole without the written permission of ACU Precision Sheet Metal is Prohibited.
 ACU Precision Sheet Metal is:
 American Coffee Urn Manufacturing Co., Inc.

	NAME	DATE	TITLE:
DRAWN	M. Johs	07/14	FLAT TOP TABLE CUSTOM
MATERIAL	SEE NOTES		
FINISH	SEE NOTES	COMMENTS:	AMERICAN COFFEE URN
DO NOT SCALE DRAWING			

TITLE:		
FLAT TOP TABLE CUSTOM		
AMERICAN COFFEE URN		