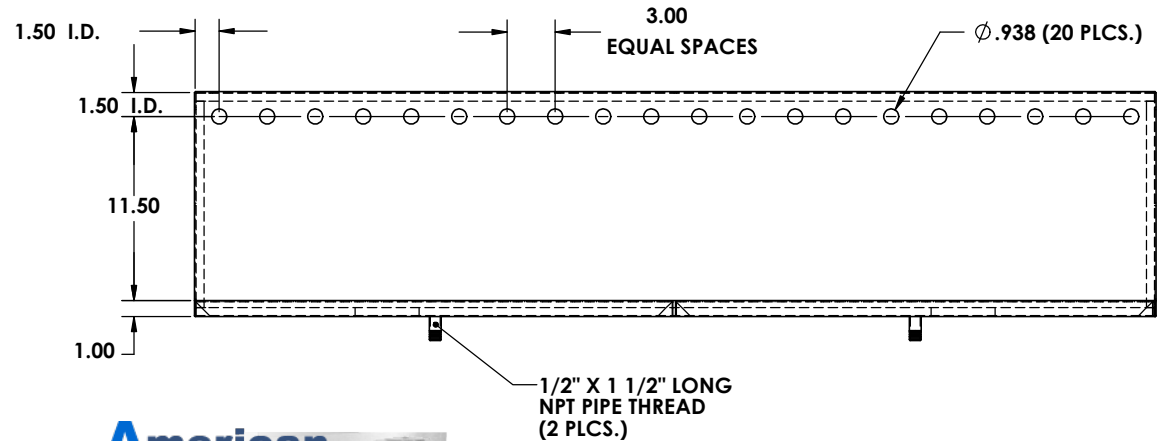
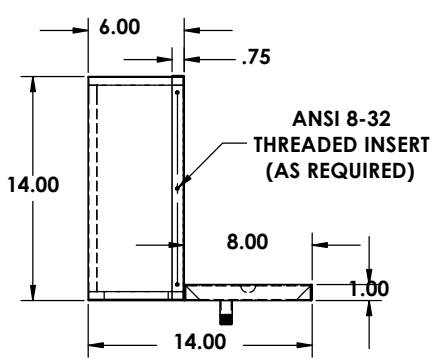
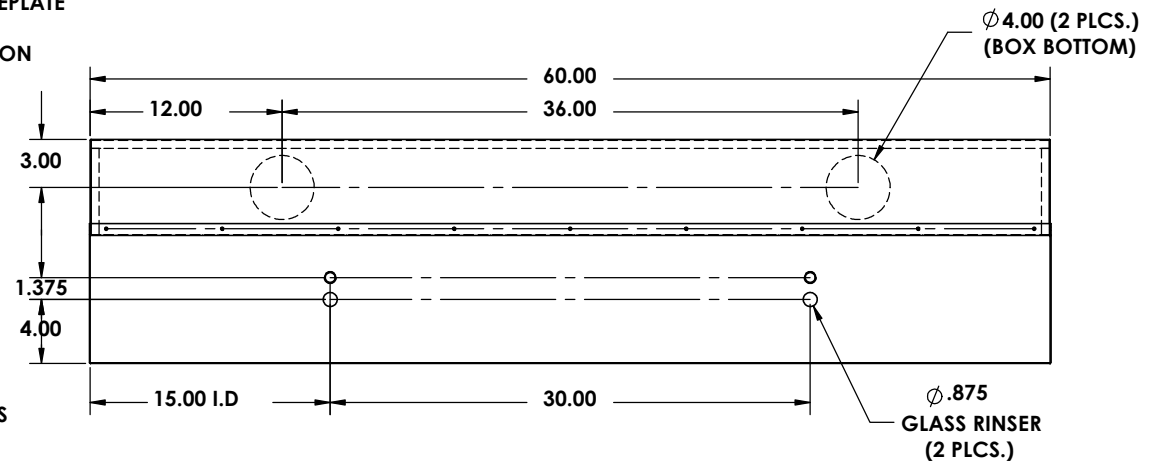
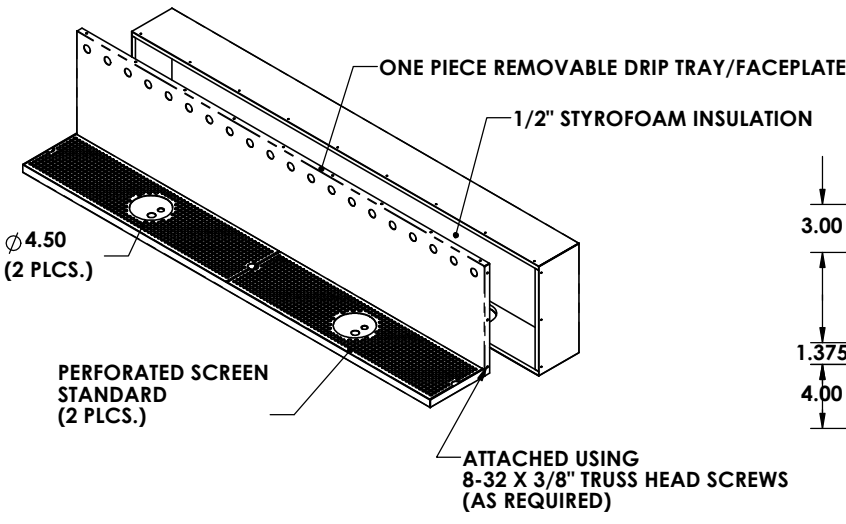


REV. NO.		REVISIONS	DATE	APPROVED



Please **Circle** the desired options Below:

ALL DIMENSIONS ARE OUTSIDE DIMENSIONS
UNLESS OTHERWISE NOTED

- MATERIAL :**
- 18 GAUGE STAINLESS STEEL
 - 16 GAUGE STAINLESS STEEL
 - 16 GAUGE BRASS
- FINISHES :**
- #2B SATIN ON ALL TYPES
 - #4 BRUSHED ON ALL TYPES
 - #8 POLISHED ON ALL TYPES

American Coffee
Urn Manufacturing Co., Inc.
 Since 1959
Precision Sheet Metal
 Design ♦ Engineering ♦ Fabrication
www.acumetalfab.com

Proprietary and Confidential The Information contained in this drawing is the sole property of ACU Precision Sheet Metal. Any reproduction in part or as a whole without the written permission of ACU Precision Sheet Metal is Prohibited. ACU Precision Sheet Metal is: American Coffee Urn Manufacturing Co., Inc.	NAME	DATE	TITLE: TOMBSTONE TOWER W/ DBL DRAIN & GLASS RINSER CUSTOM	
	DRAWN	M. Johs		08/14
	MATERIAL	SEE NOTES		AMERICAN COFFEE URN
	FINISH	SEE NOTES	COMMENTS:	