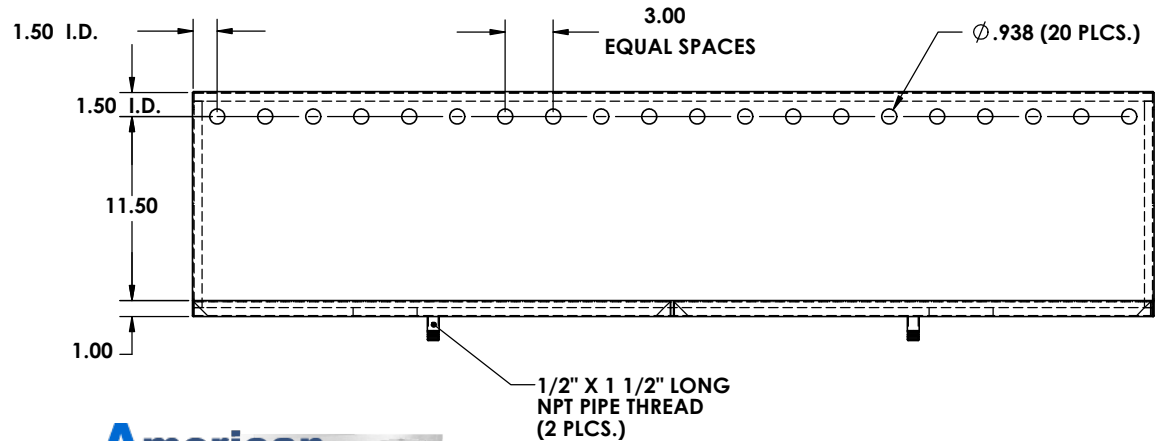
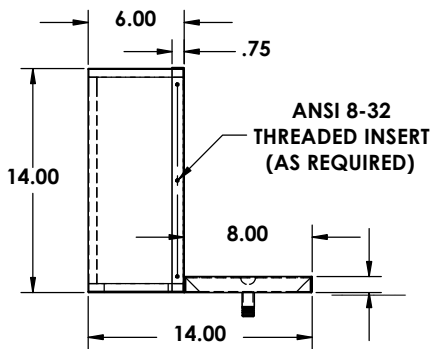
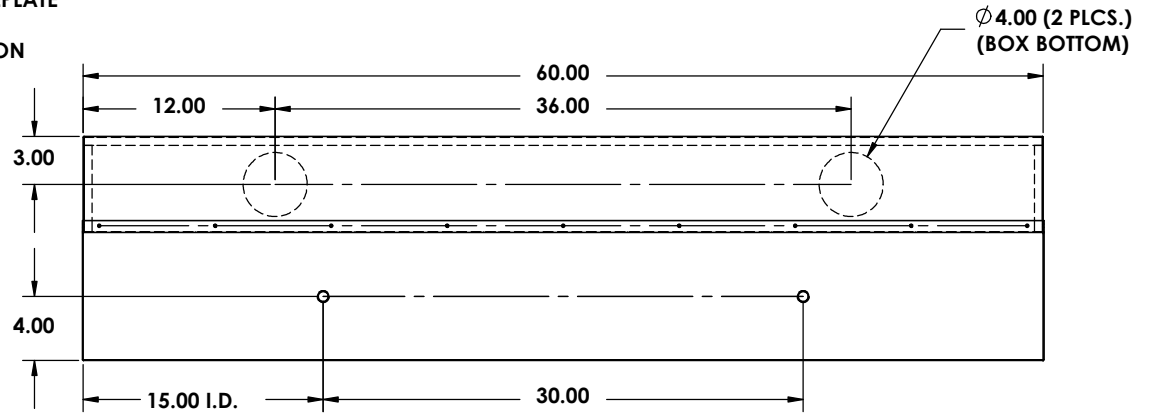
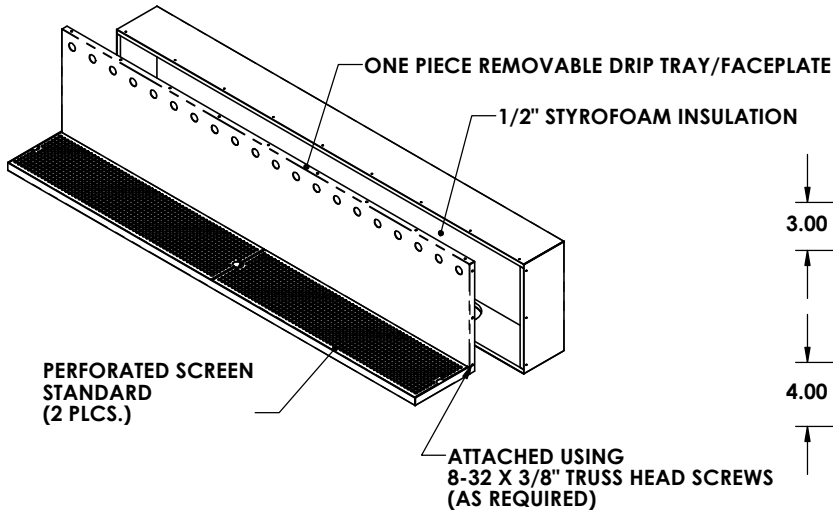


REVISIONS		DATE	APPROVED
ZONE	REV.	DESCRIPTION	



Please **Circle** the desired options Below:

ALL DIMENSIONS ARE OUTSIDE DIMENSIONS UNLESS OTHERWISE NOTED

- MATERIAL :**
- 18 GAUGE STAINLESS STEEL
 - 16 GAUGE STAINLESS STEEL
 - 16 GAUGE BRASS
- FINISHES :**
- #2B SATIN ON ALL TYPES
 - #4 BRUSHED ON ALL TYPES
 - #8 POLISHED ON ALL TYPES

American Coffee
Urn Manufacturing Co., Inc.
 Since 1959
 Precision Sheet Metal
 Design ♦ Engineering ♦ Fabrication
www.acumetalfab.com

Proprietary and Confidential
 The Information contained in this drawing is the sole property of ACU Precision Sheet Metal. Any reproduction in part or as a whole without the written permission of ACU Precision Sheet Metal is Prohibited.
 ACU Precision Sheet Metal is:
 American Coffee Urn Manufacturing Co., Inc.

	NAME	DATE	TITLE:
DRAWN	M. Johs	08/14	TOMBSTONE TOWER W/ DBL DRAIN CUSTOM
MATERIAL	SEE NOTES		
FINISH	SEE NOTES	COMMENTS:	AMERICAN COFFEE URN
DO NOT SCALE DRAWING			