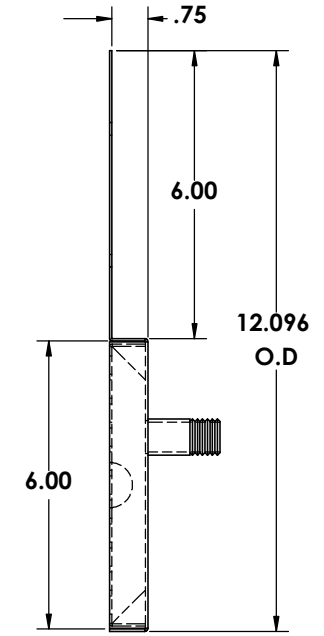
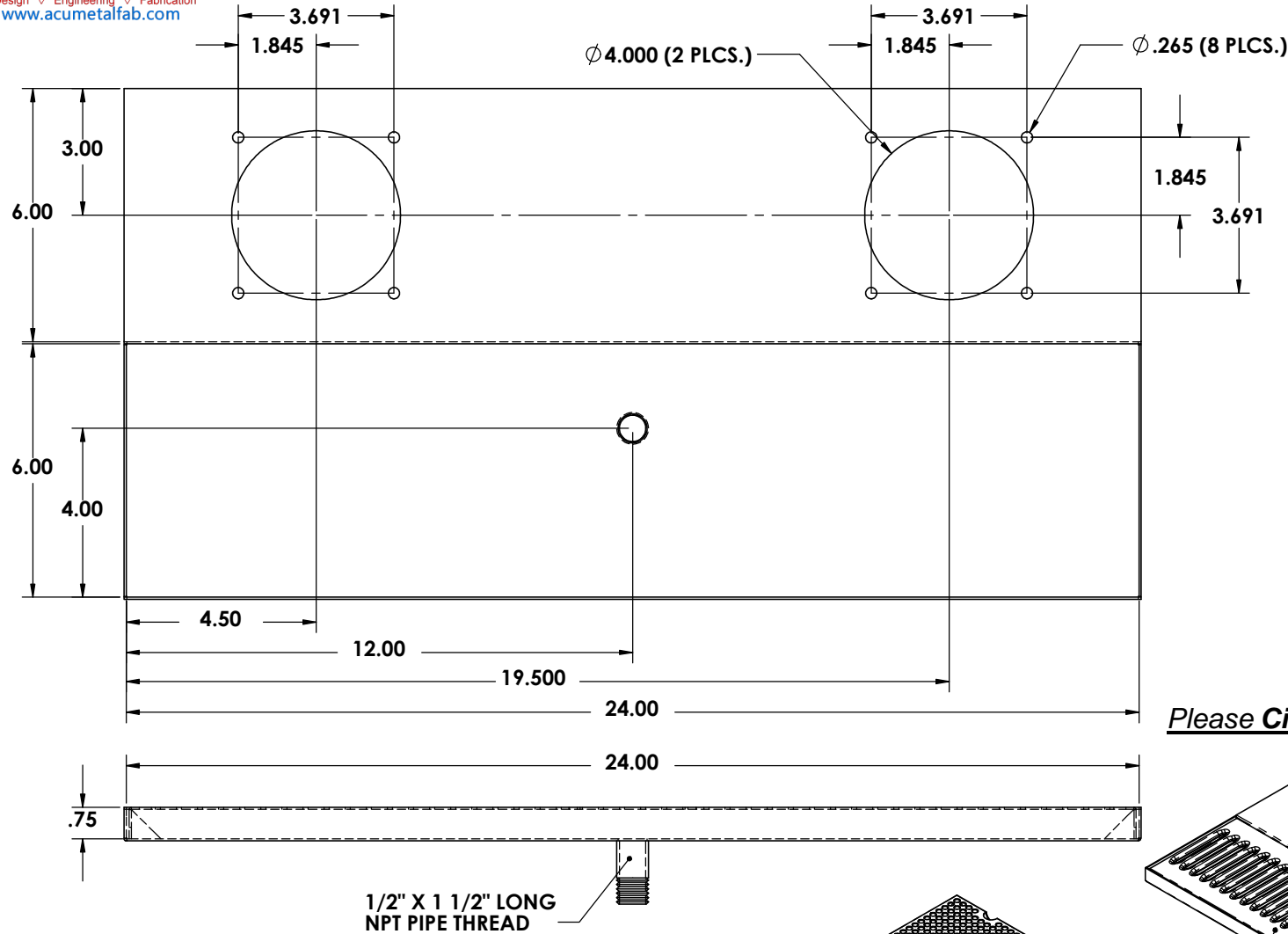


PLEASE FILL IN CORRECT MEASUREMENTS WHERE NEEDED!

REV. NO.		REVISIONS	DATE	APPROVED



Please Circle the desired Screen Below:

Please Circle the desired options Below:

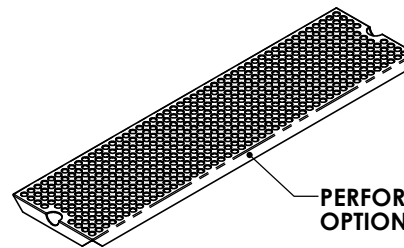
ALL DIMENSIONS ARE INSIDE DIMENSIONS
UNLESS OTHERWISE NOTED

MATERIAL :

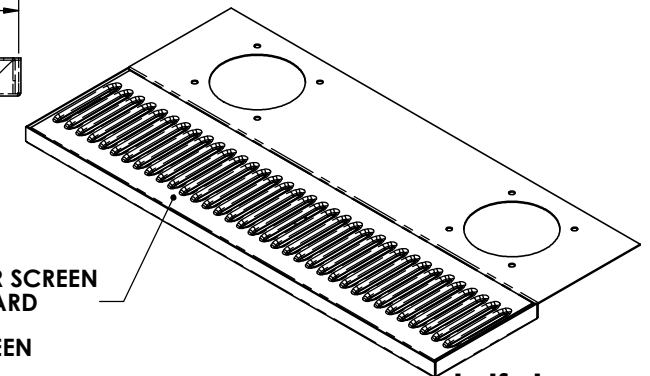
18 GAUGE STAINLESS STEEL
16 GAUGE BRASS

FINISHES :

#4 BRUSHED ON ALL TYPES
#8 POLISHED ON ALL TYPES



PERFORATED SCREEN
OPTIONAL



LOUVER SCREEN
STANDARD

www.acumetalfab.com

Proprietary and Confidential
 The Information contained in this drawing is the sole property of ACU Precision Sheet Metal. Any reproduction in part or as a whole without the written permission of ACU Precision Sheet Metal is Prohibited.
 ACU Precision Sheet Metal is:
 American Coffee Urn Manufacturing Co., Inc.

	NAME	DATE
DRAWN	M. Johs	07/14
MATERIAL	SEE NOTES	
FINISH	SEE NOTES	COMMENTS:

TITLE:
SMALL STANDARD OVERHANG W/DBL 4" PEDESTAL CUSTOM
AMERICAN COFFEE URN