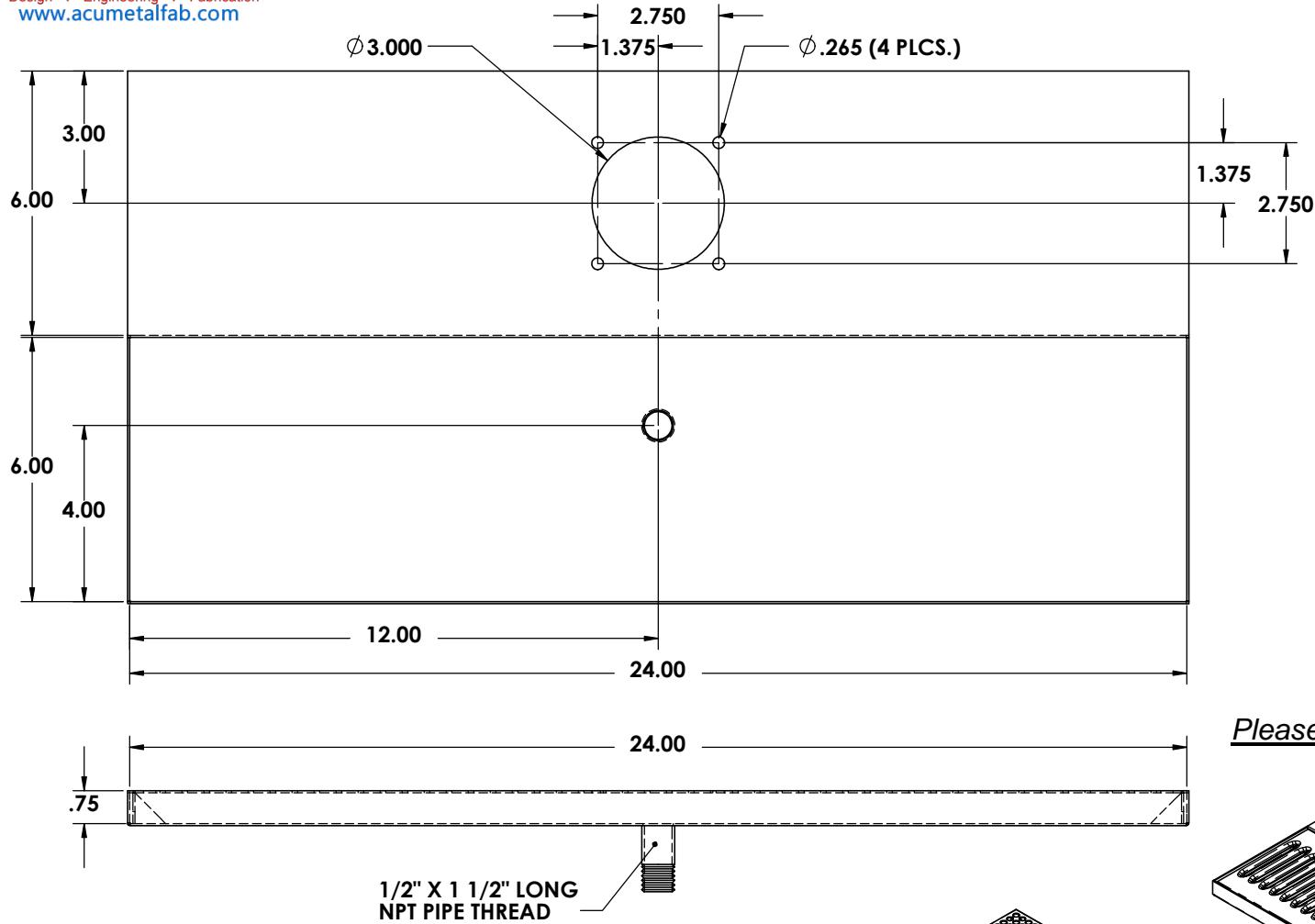


PLEASE FILL IN CORRECT MEASUREMENTS WHERE NEEDED!

| REV. NO. | | REVISIONS | DATE | APPROVED |
|----------|--|-----------|------|----------|
| | | | | |



Please Circle the desired Screen Below:

Please Circle the desired options Below:

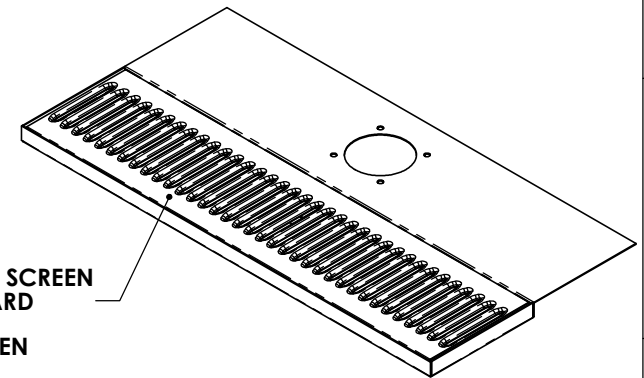
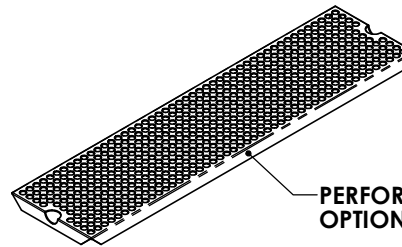
ALL DIMENSIONS ARE INSIDE DIMENSIONS
 UNLESS OTHERWISE NOTED

MATERIAL :

18 GAUGE STAINLESS STEEL
 16 GAUGE BRASS

FINISHES :

#4 BRUSHED ON ALL TYPES
 #8 POLISHED ON ALL TYPES



Proprietary and Confidential
 The Information contained in this drawing is the sole property of ACU Precision Sheet Metal. Any reproduction in part or as a whole without the written permission of ACU Precision Sheet Metal is Prohibited.
 ACU Precision Sheet Metal is:
 American Coffee Urn Manufacturing Co., Inc.

| | NAME | DATE |
|----------|-----------|-----------|
| DRAWN | M. Johs | 07/14 |
| MATERIAL | SEE NOTES | |
| FINISH | SEE NOTES | COMMENTS: |

| TITLE: |
|---|
| SMALL STANDARD OVERHANG W/ 3" PEDESTAL CUSTOM |
| AMERICAN COFFEE URN |