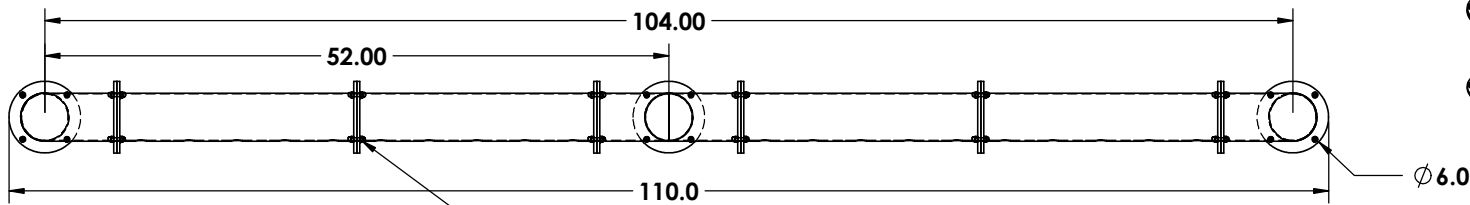
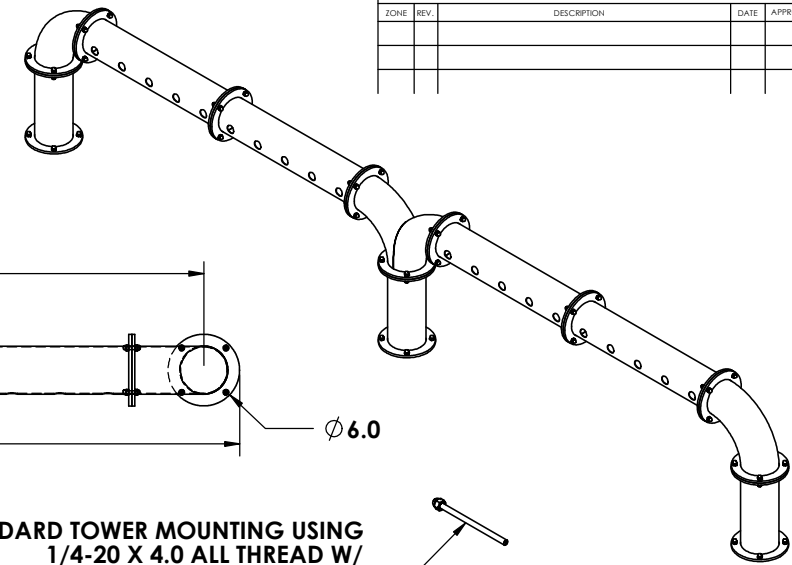


PLEASE FILL IN CORRECT MEASUREMENTS WHERE NEEDED!

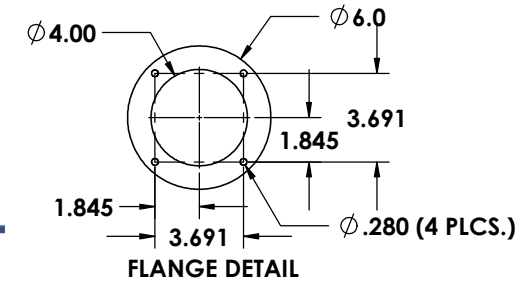
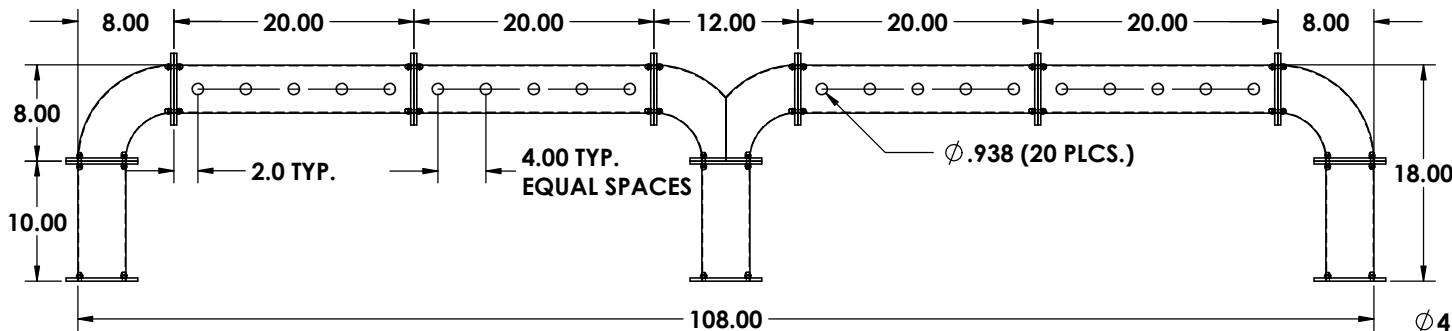
REV. NO.		REVISIONS	DATE	APPROVED



FLANGES FASTENED USING
1/4-20 X .938 ALL THREAD &
1/4-20 ACORN NUT (2X)
AS REQUIRED

STANDARD TOWER MOUNTING USING
1/4-20 X 4.0 ALL THREAD W/
1/4-20 ACORN NUT
AS REQUIRED

OPTIONAL TOWER MOUNTING USING
1/4-20 X 8.0 ALL THREAD W/
1/4-20 ACORN NUT
AS REQUIRED



Please **Circle** the desired options Below:

- MATERIAL :**
 4" X .060" WALL STAINLESS STEEL TUBING
 1/4" STAINLESS STEEL PLATE (FLANGE)
- FINISHES :**
 #4 BRUSHED ON ALL TYPES
 #8 POLISHED ON ALL TYPES

American Coffee
Urn Manufacturing Co., Inc.
 Precision Sheet Metal
 Design ♦ Engineering ♦ Fabrication
 www.acumetalfab.com

Proprietary and Confidential
 The Information contained in this drawing is the sole property of ACU Precision Sheet Metal. Any reproduction in part or as a whole without the written permission of ACU Precision Sheet Metal is Prohibited.
 ACU Precision Sheet Metal is:
 American Coffee Urn Manufacturing Co., Inc.

	NAME	DATE	TITLE:
DRAWN	M. Johs	08/14	4" Y-BRIDGE TOWER 20 HOLE MULTIPLE SECTION
MATERIAL	SEE NOTES		
FINISH	SEE NOTES	COMMENTS:	AMERICAN COFFEE URN
DO NOT SCALE DRAWING			4in 20H Bridge Y-Tower Assembly.SLDRW