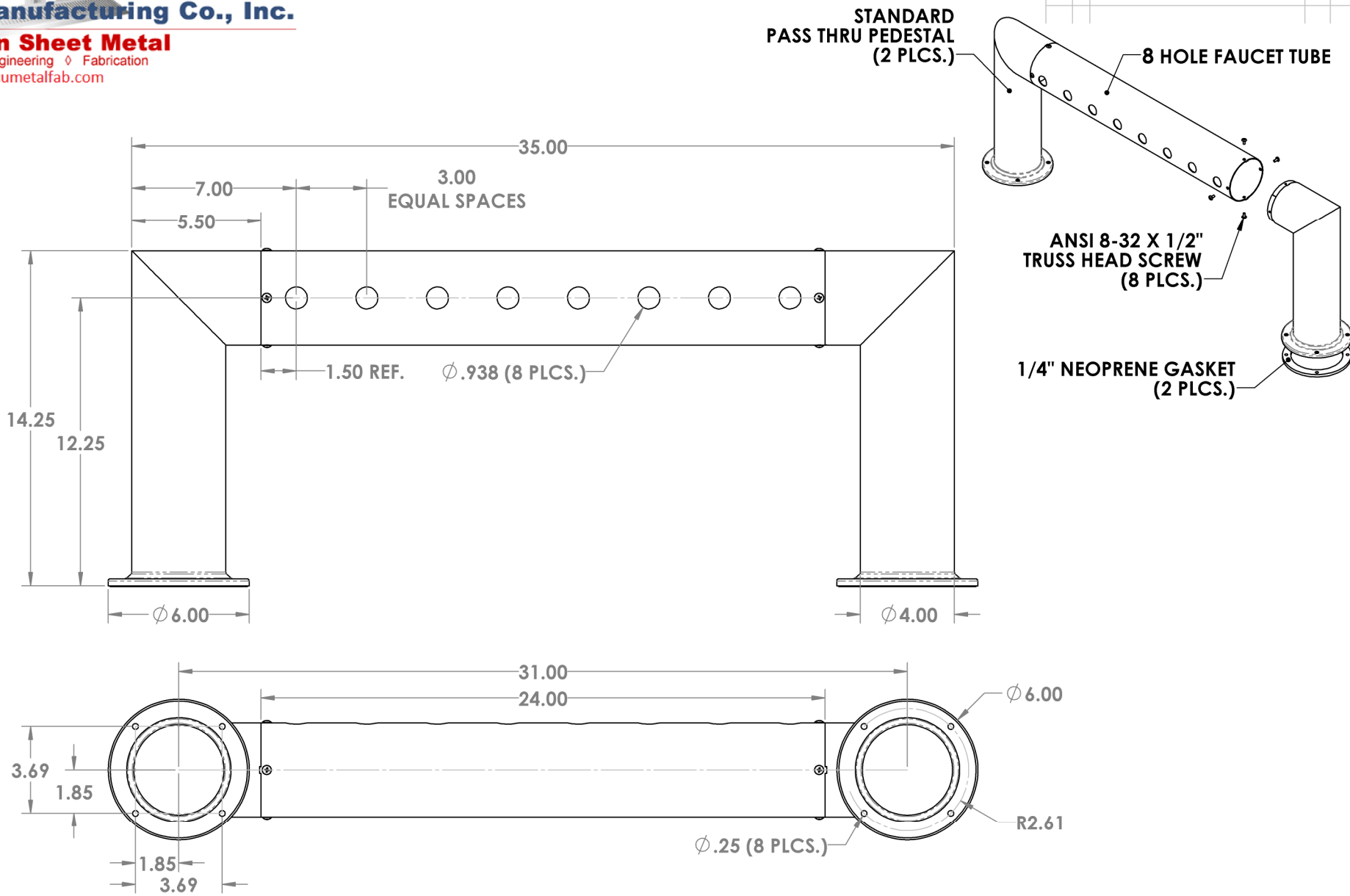


**CHANGE DIMENSIONS AS NEEDED FOR CUSTOM TOWERS**

ZONE	REV.	REVISIONS		DATE	APPROVED
		DESCRIPTION			



**NOTES:**

**ALL DIMENSIONS ARE OUTSIDE DIMENSIONS (UNLESS OTHERWISE NOTED)**

**PART # 1024-35**

**PROPRIETARY AND CONFIDENTIAL**

THE INFORMATION CONTAINED IN THIS DRAWING IS THE SOLE PROPERTY OF ACU PRECISION SHEET METAL. ANY REPRODUCTION IN PART OR AS A WHOLE WITHOUT THE WRITTEN PERMISSION OF ACU PRECISION SHEET METAL IS PROHIBITED.

ACU PRECISION SHEET METAL IS : AMERICAN COFFEE URN MANUFACTURING CO., INC

	NAME	DATE
<b>DRAWN</b>	L. WILLIAMS	10/17
<b>MATERIAL</b>	304 STAINLESS STEEL	
<b>FINISH</b>	#4 BRUSHED	
<b>REFERENCE</b>	449108	

DO NOT SCALE DRAWING

TITLE:
<b>4" PASS THRU TOWER 35" PASS THRU ASSEMBLY 8 HOLE</b>
<b>AMERICAN COFFEE URN</b>