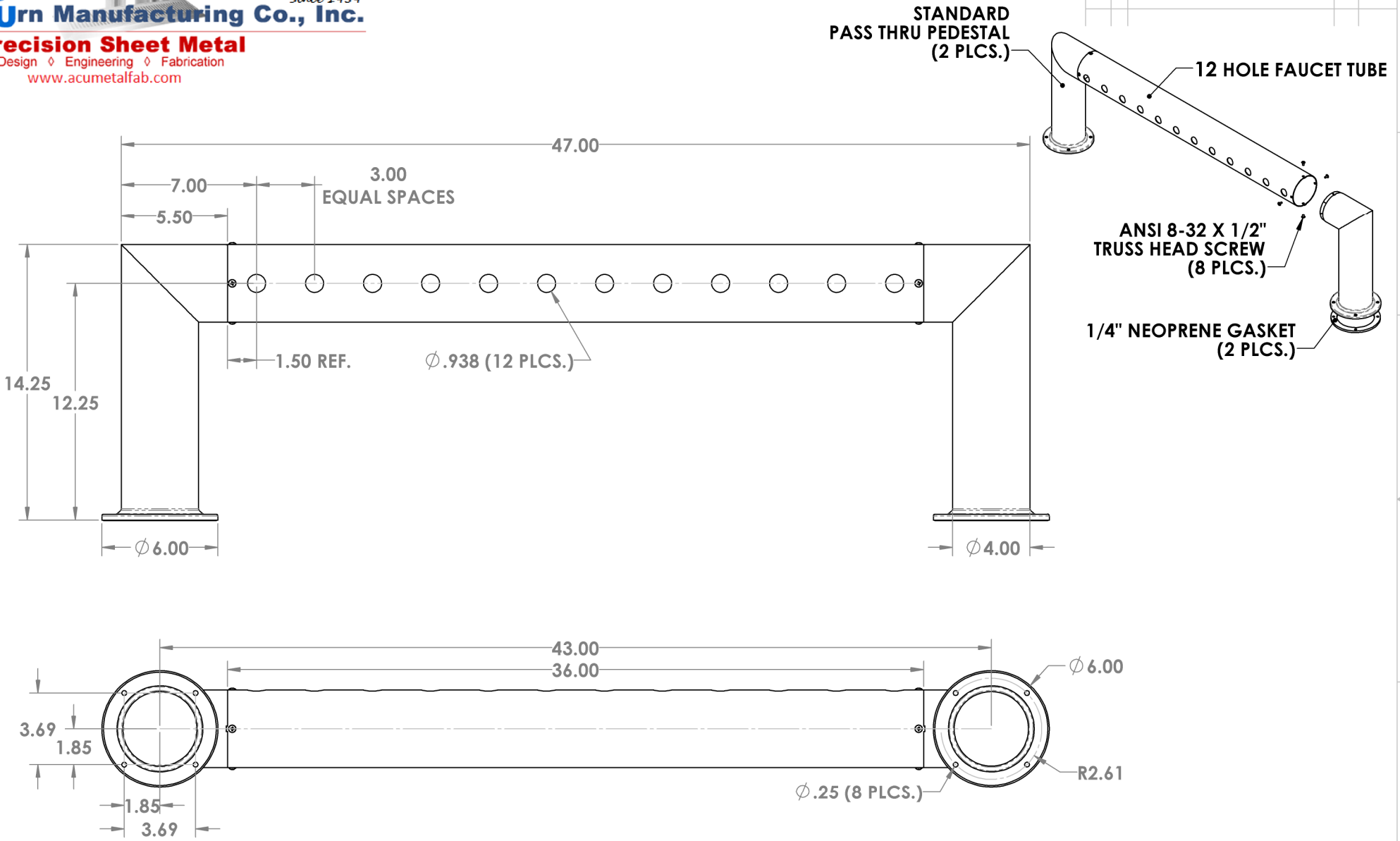


CHANGE DIMENSIONS AS NEEDED FOR CUSTOM TOWERS

REV. NO.		REVISIONS	DATE	APPROVED
DATE	DESCRIPTION			



NOTES:
 ALL DIMENSIONS ARE OUTSIDE DIMENSIONS
 (UNLESS OTHERWISE NOTED)

PROPRIETARY AND CONFIDENTIAL
 THE INFORMATION CONTAINED IN THIS DRAWING IS THE SOLE PROPERTY OF ACU PRECISION SHEET METAL. ANY REPRODUCTION IN PART OR AS A WHOLE WITHOUT THE WRITTEN PERMISSION OF ACU PRECISION SHEET METAL IS PROHIBITED.
 AMERICAN COFFEE URN MANUFACTURING CO., INC

	NAME	DATE
DRAWN	L. WILLIAMS	10/17
MATERIAL	304 STAINLESS STEEL	
FINISH	#8 POLISHED	
REFERENCE	449112	

TITLE:
4" PASS THRU TOWER 47" PASS THRU ASSEMBLY 12 HOLE
AMERICAN COFFEE URN

PART # 81024-47